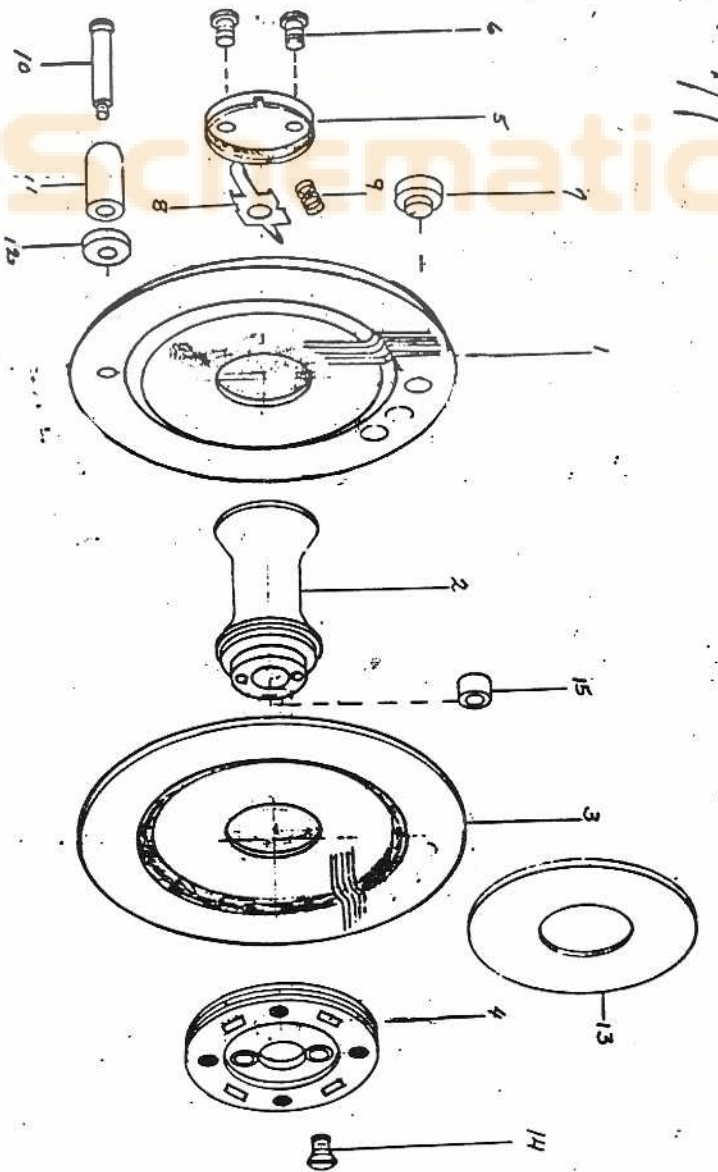


ATT Please  
Paul Schbote

71



NUMBER OF PART	QUANTITY
1 802-A FRONT SPOOL SIDE	1
2 717-A HUB	1
3 801-A REAR SPOOL SIDE (CLUTCH)	1
4 1209 CLUTCH ASSM.	1
5 251-A SPOOL CAP	1
6 ITEM #14 ON DWG-I	1
7 869-A COUNTERWEIGHT	1
8 252-S SPOOL LOCK	1
9 253-S SPRING	1
10 721-S ROLLER PIN	1
11 868 CRANK KNOB (BLACK)	1
12 162-B CRANK HANDLE JACKET	1
13 761-A REINFORCEMENT	2
14 2795 CLUTCH SCREW	2
15 280 SPOOL BUSHING	2